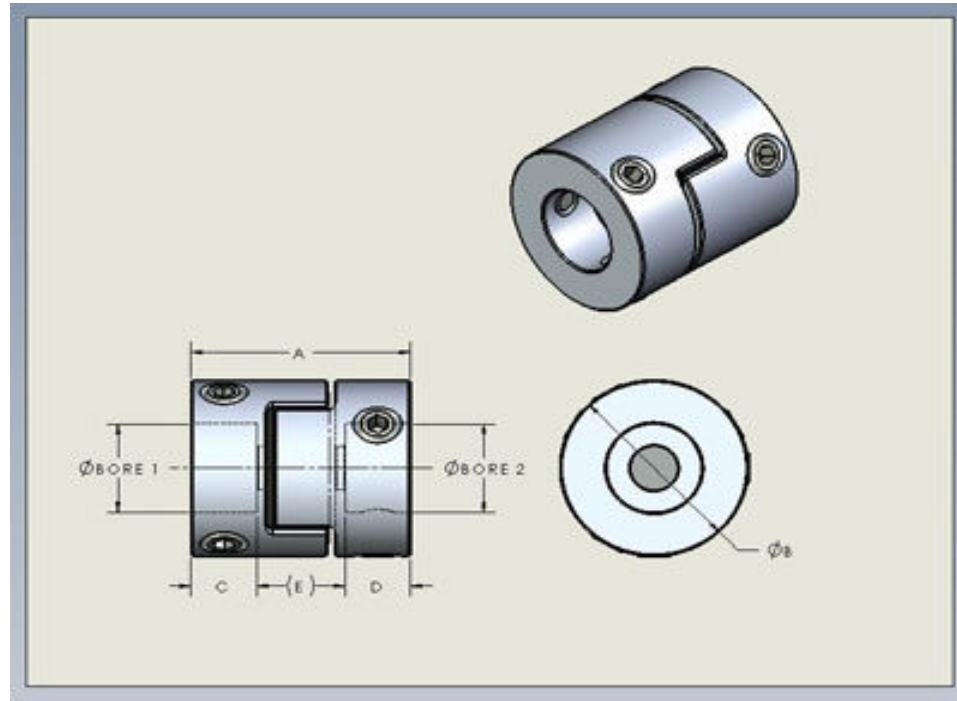


BC physical dimensions

part number													
type (OC, OI, etc.)	outer diameter, in 16ths of an inch	placeholder, D	bore one size, in 16ths of an inch (E) or in mm (M)	E = English, M = metric bore	bore one type (b = blind, T = thru, K = keyway)	bore two size, in 16ths of an inch (E) or in mm (M)	E = English, M = metric bore	bore two type (b = blind, T = thru, K = keyway)	S = set screw, C = clamping	hub material (see chart at right)	placeholder, "HUB"	midsection material (see chart at right)	placeholder, "MID"
BC 4	D	2	M	B	2	M	B	S	A	HUB	D	MID	
BC 6	D	2	F	B	3	F	T	S	S	HUB	T	MID	
BC 8	D	2	F	T	4	F	T	S	A	HUB	D	MID	
BC 10	D	6	M	B	4	F	B	C	A	HUB	D	MID	
BC 12	D	4	F	T	4	F	T	C	B	HUB	D	MID	
BC 16	D	6	F	T	6	F	T	S	A	HUB	T	MID	
BC 21	D	8	F	T	8	F	T	S	S	HUB	D	MID	
BC 26	D	8	F	B	8	F	T	C	A	HUB	D	MID	
BC 32	D	8	F	T	10	F	B	C	A	HUB	D	MID	
BC 36	D	8	F	T	10	F	T	S	A	HUB	D	MID	



physical dimensions, inches										
A	B	C		D		E			min bore for this OD	max bore for this OD
		blind bore	thru bore	blind bore	thru bore	two blind bores	one blind, one thru	two thru bores		
0.35	0.25	0.099	0.114	0.099	0.114	0.152	0.137	0.122	0.079	0.125
0.5	0.375	0.135	0.16	0.135	0.16	0.23	0.205	0.18	0.118	0.197
0.63	0.5	0.165	0.2	0.165	0.2	0.3	0.265	0.23	0.118	0.25
0.71	0.625	0.198	0.233	0.198	0.233	0.314	0.279	0.244	0.125	0.315
0.87	0.75	0.263	0.298	0.263	0.298	0.344	0.309	0.274	0.157	0.313
1.12	1	0.353	0.393	0.353	0.393	0.414	0.374	0.334	0.236	0.472
1.89	1.313	0.619	0.659	0.619	0.659	0.652	0.612	0.572	0.25	0.63
2	1.625	0.61	0.66	0.61	0.66	0.78	0.73	0.68	0.25	0.787
2.35	2	0.759	0.809	0.759	0.809	0.832	0.782	0.732	0.25	1
3.07	2.25	1.038	1.098	1.038	1.098	0.994	0.934	0.874	0.25	1.181