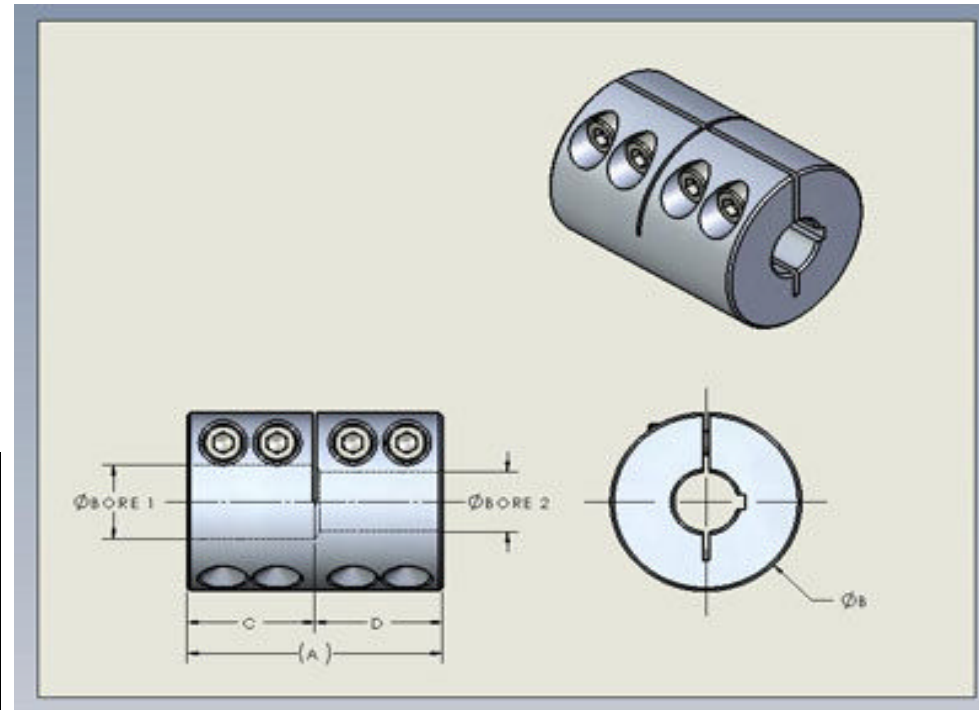


RX physical dimensions

part number													
type (OC, OI, etc.)	outer diameter, in 16ths of an inch	placeholder, D	bore one size, in 16ths of an inch (E) or in mm (M)	E = English, M = metric bore	bore one type (b = blind, T = thru, K = keyway)	bore two size, in 16ths of an inch (E) or in mm (M)	E = English, M = metric bore	bore two type (b = blind, T = thru, K = keyway)	S = set screw, C = clamping	hub material (see chart at right)	placeholder, "HUB"	midsection material (see chart at right)	placeholder, "MID"
RX	4	D	2	M	B	2	M	B	S	A	HUB	N	MID
RX	6	D	2	E	B	3	E	T	S	S	HUB	N	MID
RX	8	D	2	E	T	4	E	T	S	A	HUB	N	MID
RX	10	D	6	M	B	4	E	B	C	A	HUB	N	MID
RX	12	D	4	E	T	4	E	T	C	B	HUB	N	MID
RX	16	D	6	E	T	6	E	T	S	A	HUB	N	MID
RX	21	D	8	E	T	8	E	T	S	S	HUB	N	MID
RX	26	D	8	E	B	8	E	T	C	A	HUB	N	MID
RX	32	D	8	E	T	10	E	B	C	A	HUB	N	MID
RX	36	D	8	E	T	10	E	T	S	A	HUB	N	MID



physical dimensions, inches					
A	B	C	D	min bore for this OD	max bore for
0.375	0.25	0.1875	0.1875	0.079	0.125
0.563	0.375	0.2815	0.2815	0.118	0.197
0.75	0.5	0.375	0.375	0.118	0.25
1	0.625	0.5	0.5	0.125	0.315
1	0.75	0.5	0.5	0.157	0.313
1.5	1	0.75	0.75	0.236	0.472
2	1.313	1	1	0.25	0.63
2.5	1.625	1.25	1.25	0.25	0.787
3	2	1.5	1.5	0.25	1
4	2.25	2	2	0.25	1.181