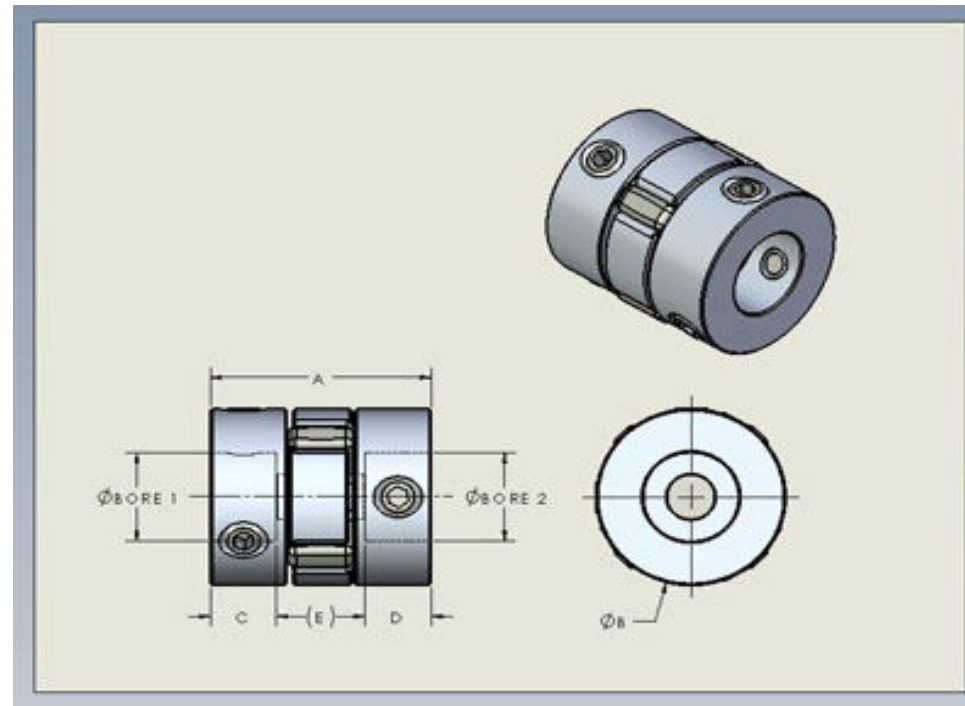


SC physical dimensions

part number													
type (OC, OI, etc.)	outer diameter, in 16ths of an inch	placeholder, D	bore one size, in 16ths of an inch (E) or in mm (M)	E = English, M = metric bore	bore one type (b = blind, T = thru, K = keyway)	bore two size, in 16ths of an inch (E) or in mm (M)	E = English, M = metric bore	bore two type (b = blind, T = thru, K = keyway)	S = set screw, C = clamping	hub material (see chart at right)	placeholder, "HUB"	placeholder, "MID"	
SC	4	D	2	M	B	2	M	B	S	A	HUB	U	MID
SC	6	D	2	F	B	3	F	T	S	S	HUB	R	MID
SC	8	D	2	F	T	4	F	T	S	A	HUB	U	MID
SC	10	D	6	M	B	4	F	B	C	A	HUB	U	MID
SC	12	D	4	F	T	4	F	T	C	B	HUB	U	MID
SC	16	D	6	F	T	6	F	T	S	A	HUB	R	MID
SC	21	D	8	F	T	8	F	T	S	S	HUB	U	MID
SC	26	D	8	F	B	8	F	T	C	A	HUB	U	MID
SC	32	D	8	F	T	10	F	B	C	A	HUB	U	MID
SC	36	D	8	F	T	10	F	T	S	A	HUB	U	MID



physical dimensions, inches										
A	B	C		D		E			min bore for this OD	max bore for this OD
		blind bore	thru bore	blind bore	thru bore	two blind bores	one blind, one thru	two thru bores		
0.35	0.25	0.099	0.114	0.099	0.114	0.152	0.137	0.122	0.079	0.125
0.5	0.375	0.135	0.16	0.135	0.16	0.23	0.205	0.18	0.118	0.197
0.63	0.5	0.165	0.2	0.165	0.2	0.3	0.265	0.23	0.118	0.25
0.71	0.625	0.198	0.233	0.198	0.233	0.314	0.279	0.244	0.125	0.315
0.87	0.75	0.263	0.298	0.263	0.298	0.344	0.309	0.274	0.157	0.313
1.12	1	0.353	0.393	0.353	0.393	0.414	0.374	0.334	0.236	0.472
1.89	1.3125	0.619	0.659	0.619	0.659	0.652	0.612	0.572	0.25	0.63
2	1.625	0.61	0.66	0.61	0.66	0.78	0.73	0.68	0.25	0.787
2.35	2	0.759	0.809	0.759	0.809	0.832	0.782	0.732	0.25	1
3.07	2.25	1.038	1.098	1.038	1.098	0.994	0.934	0.874	0.25	1.181