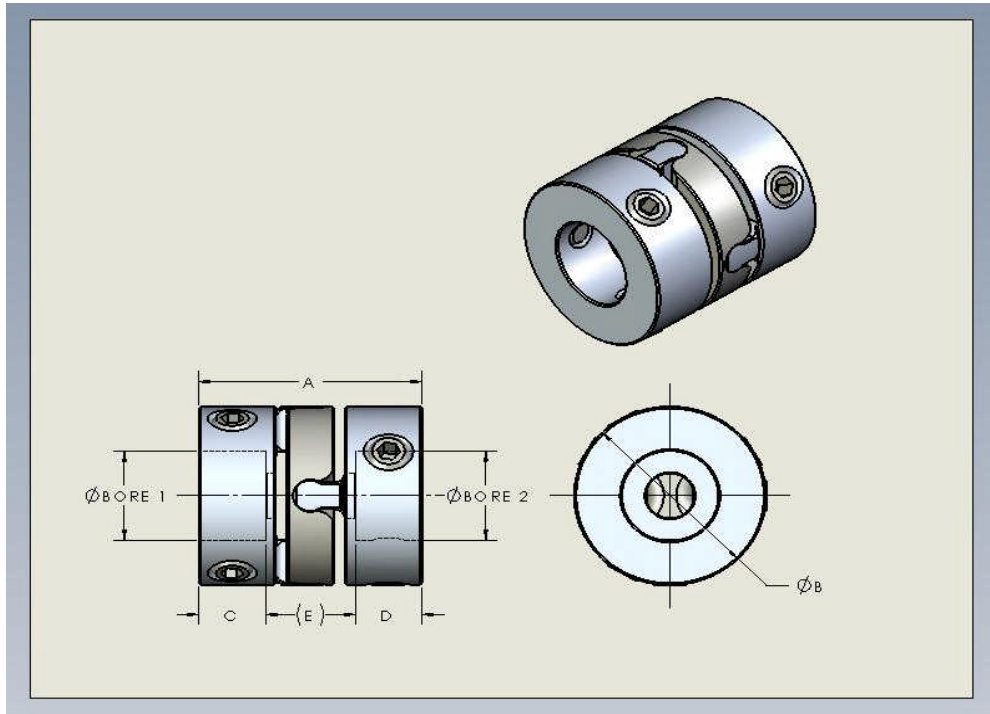


UI	physical dimensions												part number			
	type (OC, OI, etc.)	outer diameter, in 16ths of an inch	placeholder, D	bore one size, in 16ths of an inch (E) or in mm (M)	E = English, M = metric bore	bore one type (b = blind, T = thru, K = keyway)	bore two size, in 16ths of an inch (E) or in mm (M)	E = English, M = metric bore	bore two type (b = blind, T = thru, K = keyway)	S = set screw, C = clamping	hub material (see chart at right)	placeholder, "HUB"	midsection material (see chart at right)	placeholder, "MID"	A	B
UI	16	D												MID	1.12	1
UI	21	D												MID	1.89	1.313
UI	26	D												MID	2	1.625
UI	32	D												MID	2.35	2
UI	36	D												MID	3.07	2.25
UI	48	D												MID	4	3
UI	64	D												MID	5.25	4

These fields within part number have no effect on overall physical dimensions



physical dimensions, inches														
A	B	C		D		E			min bore for this OD	max bore for this OD				
		blind bore	thru bore	blind bore	thru bore	two blind bores	one blind, one thru	two thru bores						
1.12	1	0.353	0.393	0.353	0.393	0.414	0.374	0.334	0.236	0.5				
1.89	1.313	0.619	0.659	0.619	0.659	0.652	0.612	0.572	0.25	0.63				
2	1.625	0.61	0.66	0.61	0.66	0.78	0.73	0.68	0.25	0.787				
2.35	2	0.759	0.809	0.759	0.809	0.832	0.782	0.732	0.25	1				
3.07	2.25	1.038	1.098	1.038	1.098	0.994	0.934	0.874	0.25	1.181				
4	3	1.38	1.45	1.38	1.45	1.24	1.17	1.1	0.25	1.5				
5.25	4	1.85	1.91	1.85	1.91	1.55	1.49	1.43	0.25	2				