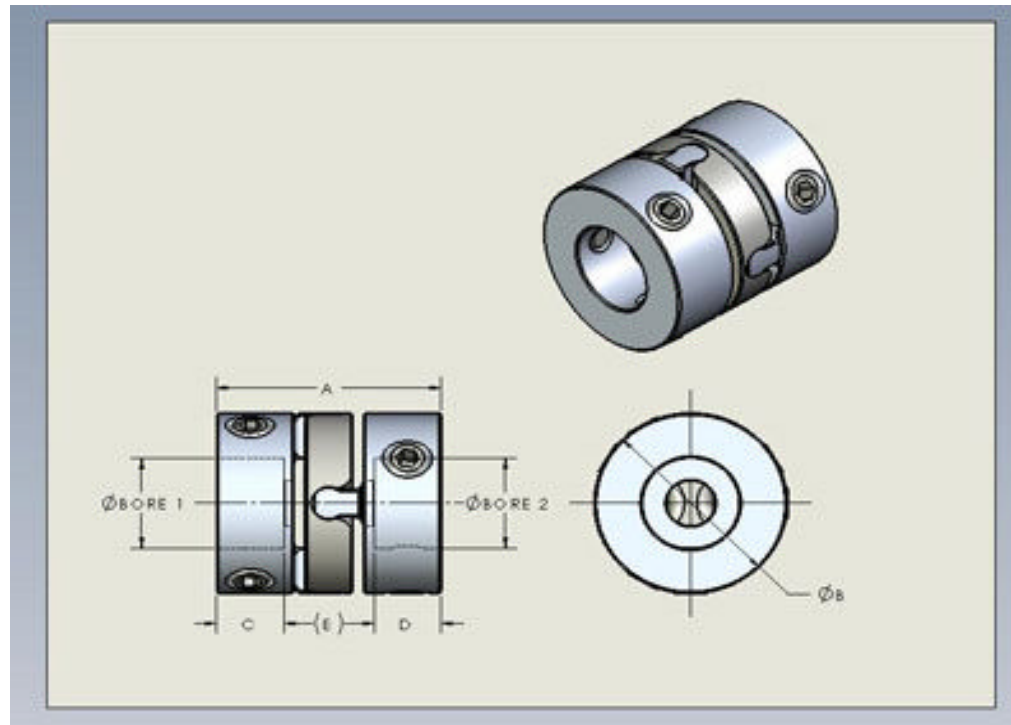


UI physical dimensions

part number													
type (OC, OI, etc.)	outer diameter, in 16ths of an inch	placeholder, D	bore one size, in 16ths of an inch (E) or in mm (M)	E = English, M = metric bore	bore one type (b = blind, T = thru, K = keyway)	bore two size, in 16ths of an inch (E) or in mm (M)	E = English, M = metric bore	bore two type (b = blind, T = thru, K = keyway)	S = set screw, C = clamping	hub material (see chart at right)	placeholder, "HUB"	midsection material (see chart at right)	placeholder, "MID"
UI	4	D	2	M	B	2	M	B	S	A	HUB	D	MID
UI	6	D	2	E	B	3	E	T	S	S	HUB	T	MID
UI	8	D	2	E	T	4	E	T	S	A	HUB	D	MID
UI	10	D	6	M	B	4	E	B	C	A	HUB	D	MID
UI	12	D	4	E	T	4	E	T	C	B	HUB	D	MID
UI	16	D	6	E	T	6	E	T	S	A	HUB	T	MID
UI	21	D	8	E	T	8	E	T	S	S	HUB	D	MID
UI	26	D	8	E	B	8	E	T	C	A	HUB	D	MID
UI	32	D	8	E	T	10	E	B	C	A	HUB	D	MID
UI	36	D	8	E	T	10	E	T	S	A	HUB	D	MID



physical dimensions, inches										
A	B	C		D		E			min bore for this OD	max bore for this OD
		blind bore	thru bore	blind bore	thru bore	two blind bores	one blind, one thru	two thru bores		
0.35	0.25	0.099	0.114	0.099	0.114	0.152	0.137	0.122	0.079	0.125
0.5	0.375	0.135	0.16	0.135	0.16	0.23	0.205	0.18	0.118	0.197
0.63	0.5	0.165	0.2	0.165	0.2	0.3	0.265	0.23	0.118	0.25
0.71	0.625	0.198	0.233	0.198	0.233	0.314	0.279	0.244	0.125	0.315
0.87	0.75	0.263	0.298	0.263	0.298	0.344	0.309	0.274	0.157	0.313
1.12	1	0.353	0.393	0.353	0.393	0.414	0.374	0.334	0.236	0.472
1.89	1.313	0.619	0.659	0.619	0.659	0.652	0.612	0.572	0.25	0.63
2	1.625	0.61	0.66	0.61	0.66	0.78	0.73	0.68	0.25	0.787
2.35	2	0.759	0.809	0.759	0.809	0.832	0.782	0.732	0.25	1
3.07	2.25	1.038	1.098	1.038	1.098	0.994	0.934	0.874	0.25	1.181